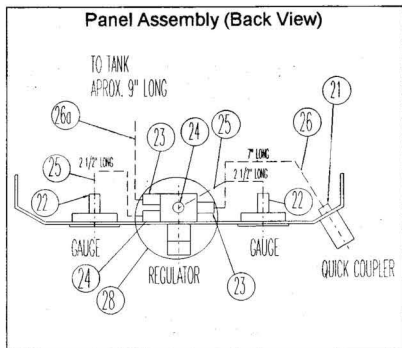
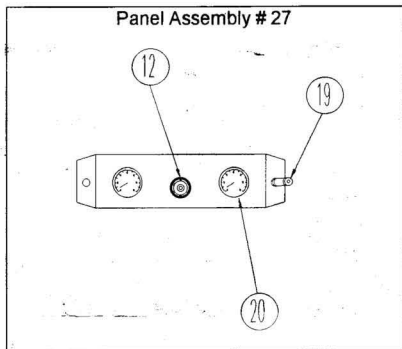
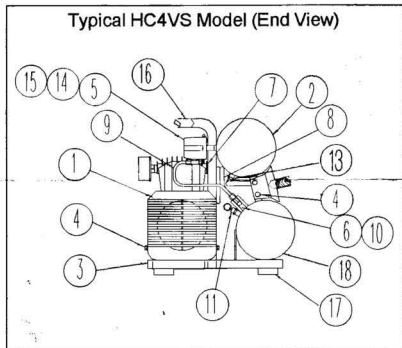


ASSEMBLY BREAKDOWN

Parts orders should include compressor model, serial, and part number.



Ref #	Part #	Description
1	AM40 AM79	Pump/Motor Assembly 3/4 Horsepower, AM40 1 1/2 Horsepower, AM79
2	HC4VS	Tank Assembly, HC4VS
3	320-1131 320-1130	Saddle with bolts & nuts, AM40 Saddle with bolts & nuts, AM79
4	120-1177	# 12 x 3/4" Screw (8 required)
5	PBVL	Pressure Switch
6	1238T 1238TAMC	Check Valve, AM40 Check Valve, AM79 includes cold start valve
7	121-1035	3/8" Compression Elbow
8	610-1291	3/8" x 36" Aftercooler
9	610-1074	1/4" Unloader Tube
10	121-1032	1/4" x 1/8" Compression Elbow
11	SV165-18	Safety Valve, 1/8" NPT 165 PSI
12	R14-AM	Regulator (see Ref # 28)
13	121-1161	3/8 MPT 3/8" Tube Comp Elbow
14	123-1026 123-1027 123-1029	14 / 3 x 6', Cord Set, AM79 16 / 3 X 6', Cord Set, AM40 Romex Connector
15	104-1072	Hand Grip
16	PAD-40A	Foot Pad
17	DC14	Drain Cock, 1/4" NPT
18	160-1080	Quick Coupler
19	142-1008	Panel Mount Pressure Gauge (2 req.)
20	121-1151	1/4" FPT to 3/8" Bulkhead Fitting
21	121-1155	1/8" FPT to 1/4" Tube Comp Elbow (2 req.)
22	121-1156	1/4" MPT to 3/8" Tube Elbow (2 req.)
23	121-1154	1/8" MPT to 1/4" Tube Comp Elbow (2 req.)
24	610-1315	1/4" Tubing (2 1/2" long / 2 req.)
25	610-1316	3/8" Tubing (7" long)
26	610-1317	3/8" Tubing (9" long)
26 a	AM79CP	Panel Assembly (includes Ref# 12, 19-26a)
27	R14-79	Regulator Replacement Kit (includes Ref# 12, 23-26a)
28	AM79CP2	Optional Dual Coupler-Panel (not shown)

Parts orders should include compressor model, serial, and part number.