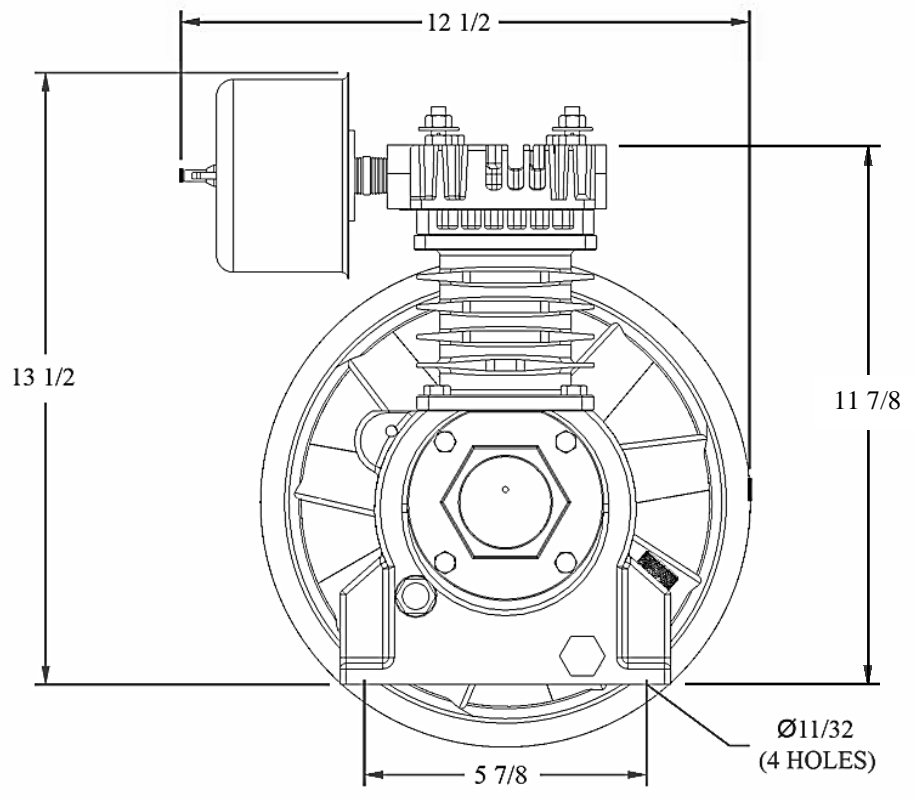
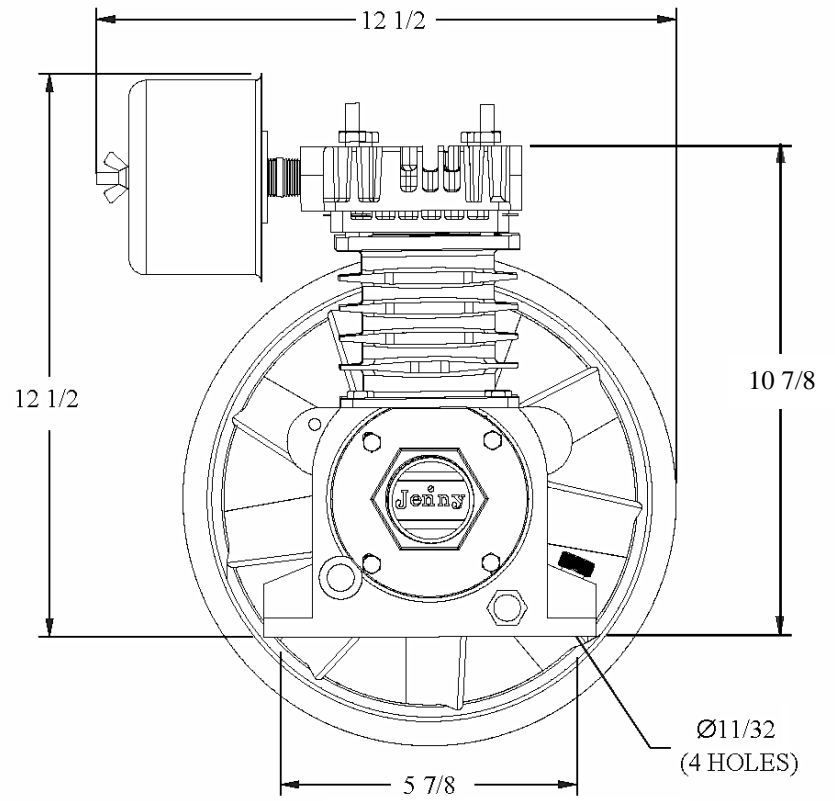


HP _____ RPM _____ AMPS ----- VOLT ----- PHASE ----- Hz
 MOTOR ENCLOSURE: _____
 CONTROL TYPE: _____
 CONTROL PRESS. SET _____ (PSI) CUT IN, ----- (PSI) CUT OUT
 OPTIONS: _____

MODEL NUMBER: _____ TANK SIZE: -----
 DISPLACEMENT CFM: _____ @ _____ RPM
 CFM-FA: _____ @ _____ PSI DISCHARGE
 MAX. WORKING PSI: _____
 SHIPPING WEIGHT: _____
 SHIPPING
 CONTAINER: LENGTH: _____ WIDTH: _____ HEIGHT: _____



New Style K



Old Style K

DIMENSIONAL DATA (INCHES)

A	B	C	D	E	G	H	J	FW	P	Z
---	---	---	---	---	---	---	---	----	---	---



JENNY PRODUCTS, INC.
 850 North Pleasant Avenue
 Somerset, Pennsylvania 15501
 Ph : 814 - 445 - 3400